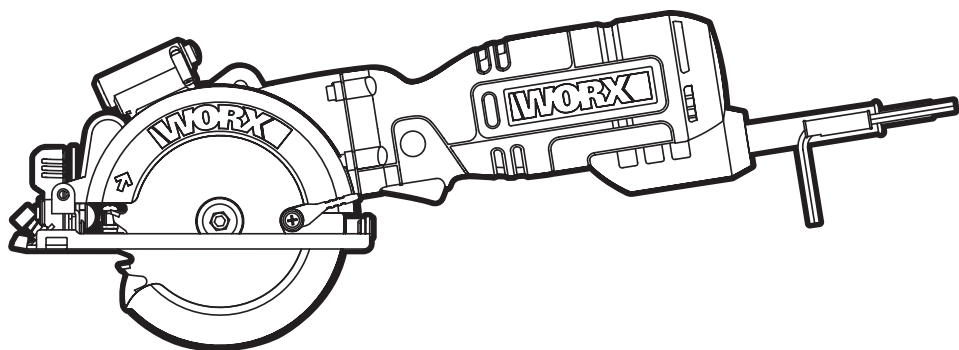


# WORX®



**HIGH  
INTENSITY  
MOTOR**

---

**Compact Circular Saw**

**EN P07**

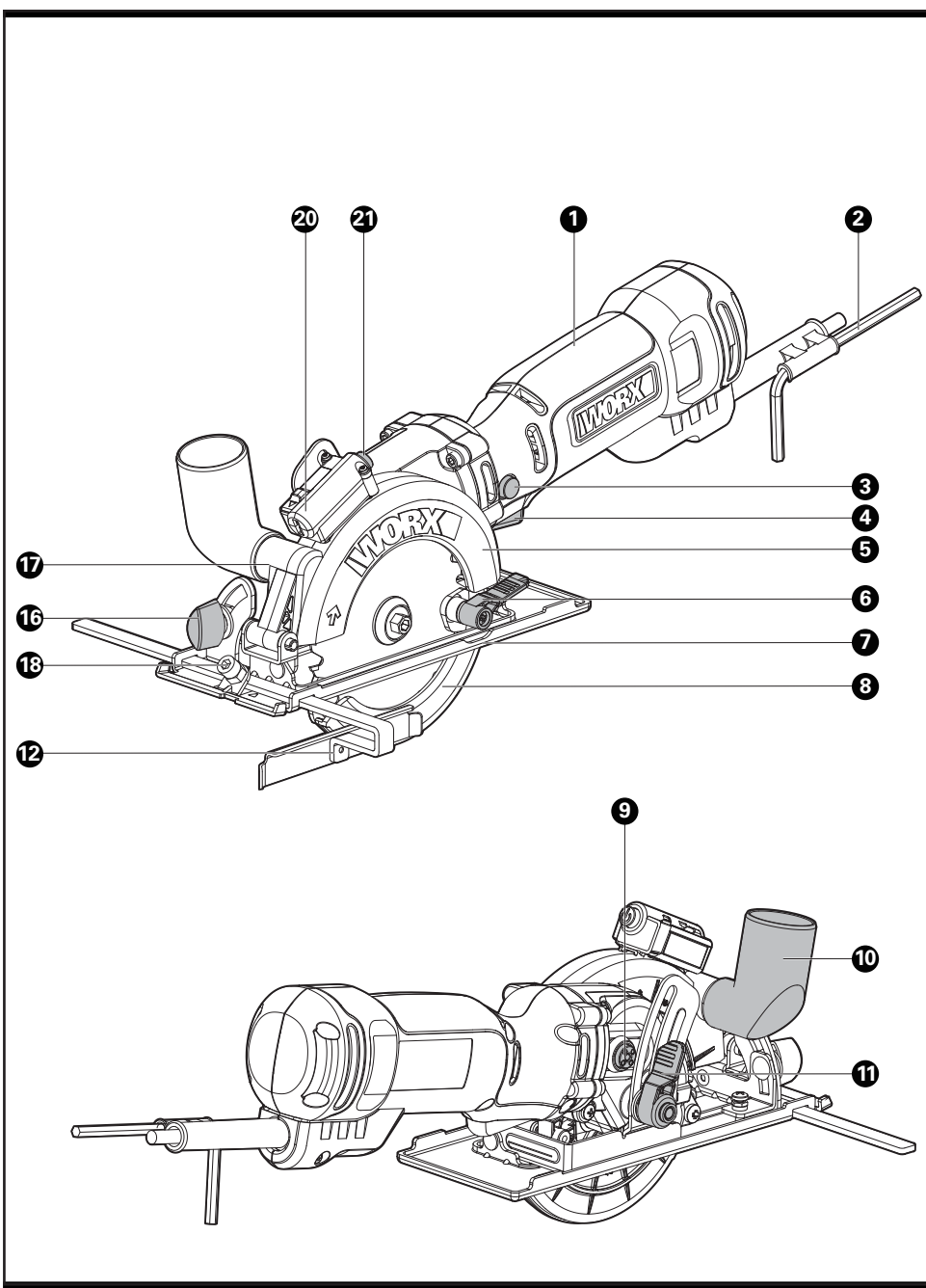
**Дисковая пила**

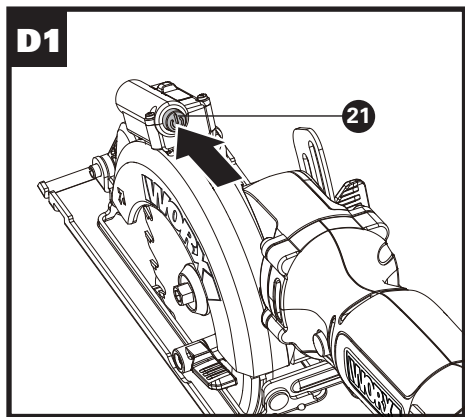
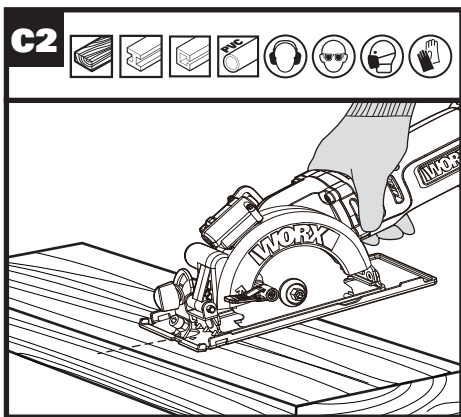
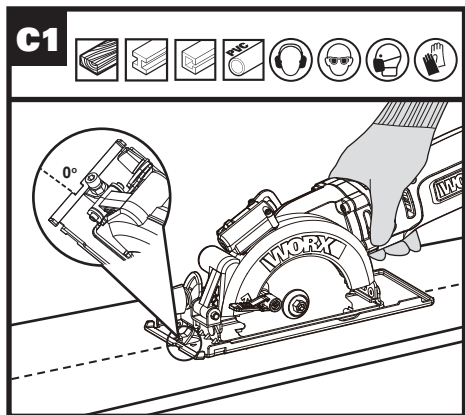
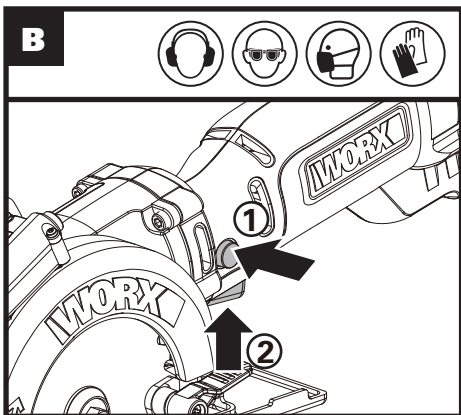
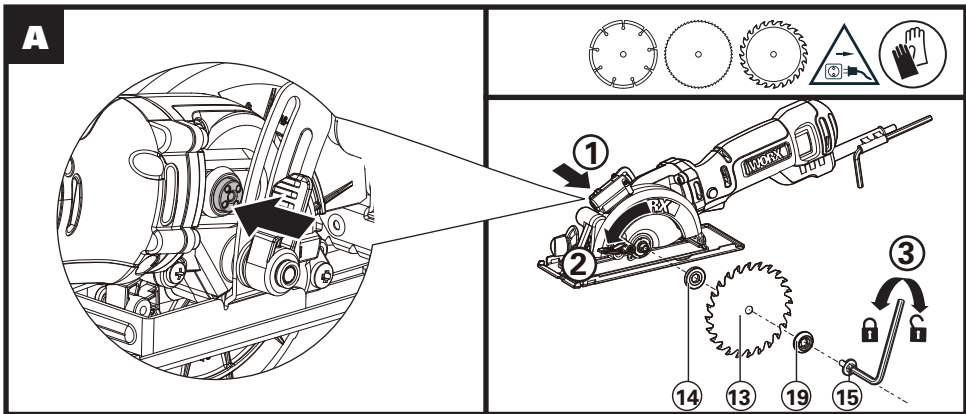
**RU P16**

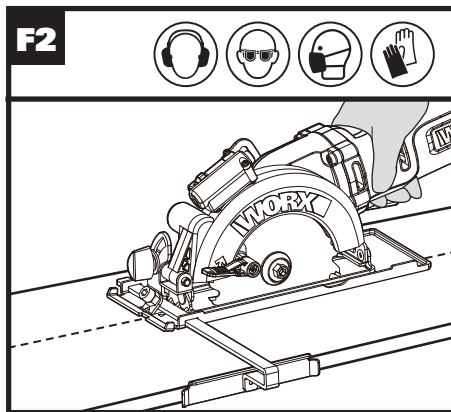
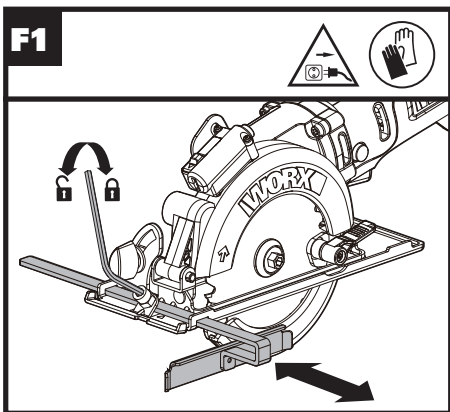
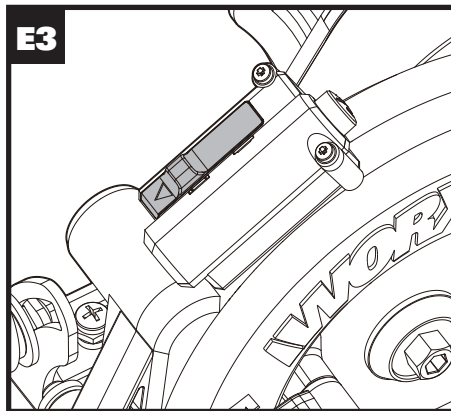
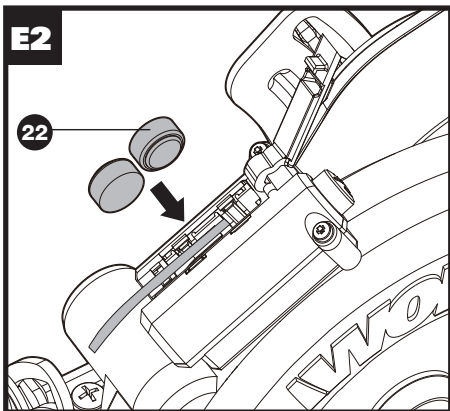
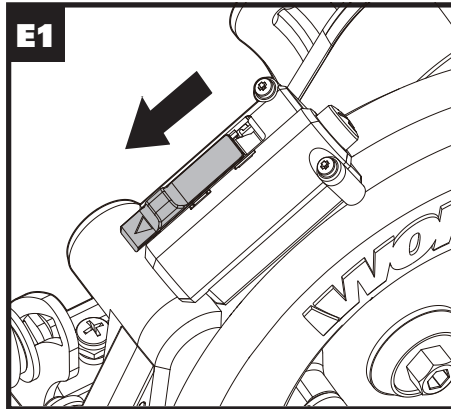
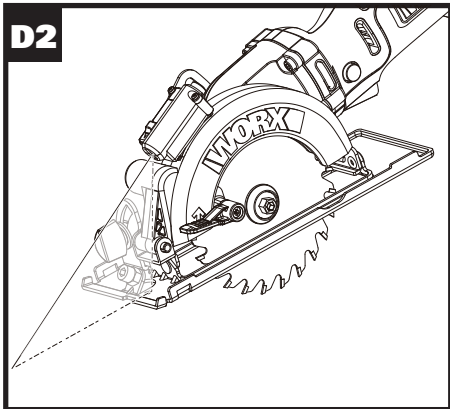
---

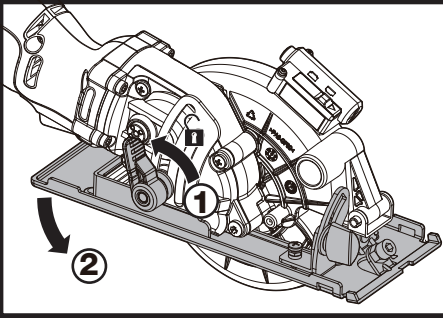
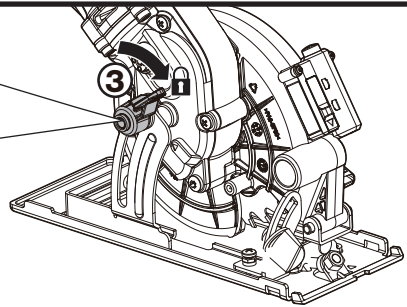
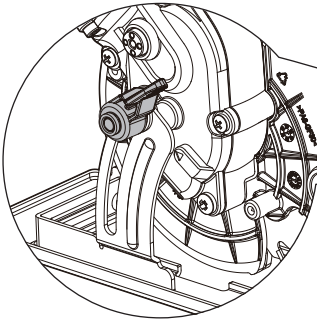
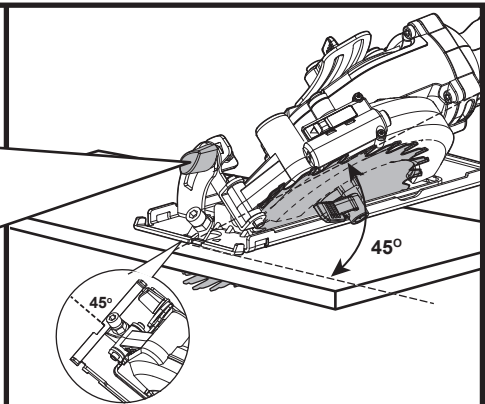
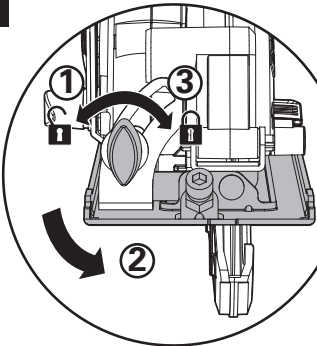
**Compact Circular Saw**

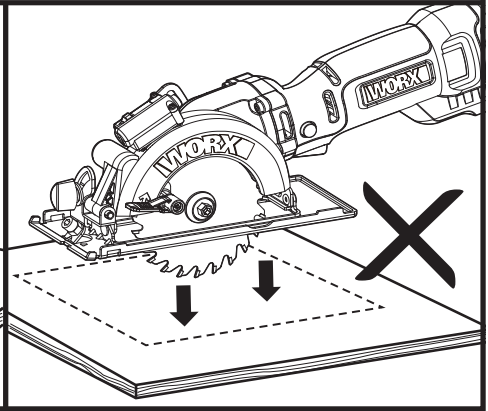
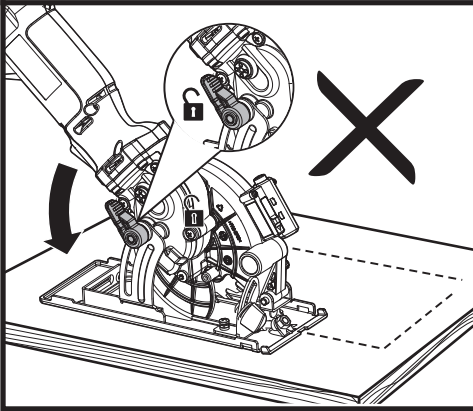
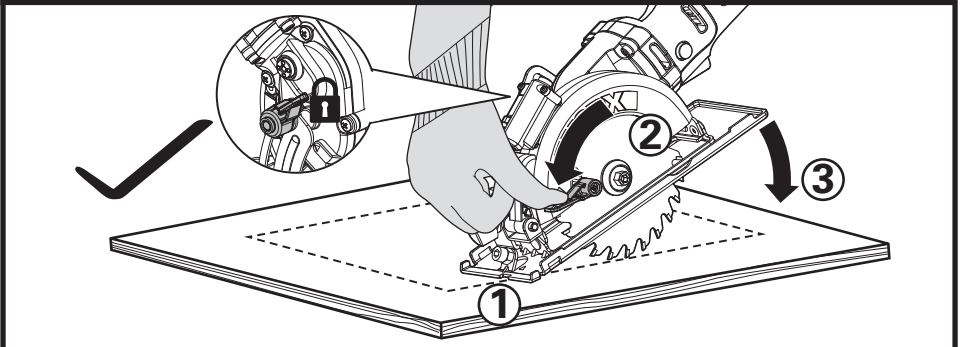
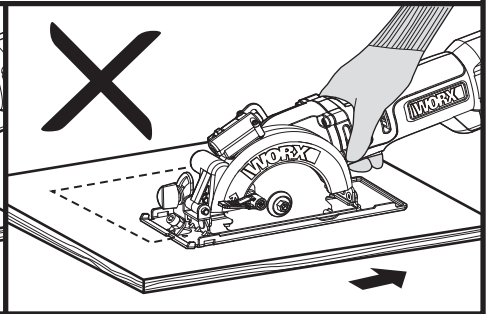
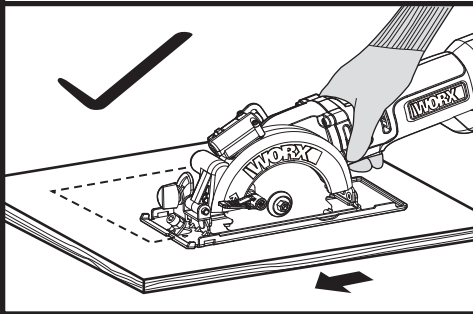
**WX437 WX437.X**







**G1****G2****H**

**11****12**

# PRODUCT SAFETY

## GENERAL POWER TOOL

### SAFETY WARNINGS



**WARNING** Read all safety warnings, instructions, illustrations and specifications provided with this power tool.

Failure to follow all instructions listed below may result in electric shock, fire and/or serious injury.

**Save all warnings and instructions for future reference.**

The term "power tool" in the warnings refers to your mains-operated (corded) power tool or battery-operated (cordless) power tool.

#### 1) Work area safety

- a) **Keep work area clean and well lit.** Cluttered or dark areas invite accidents.
- b) **Do not operate power tools in explosive atmospheres, such as in the presence of flammable liquids, gases or dust.** Power tools create sparks which may ignite the dust or fumes.
- c) **Keep children and bystanders away while operating a power tool.** Distractions can cause you to lose control.

#### 2) Electrical safety

- a) **Power tool plugs must match the outlet. Never modify the plug in any way. Do not use any adapter plugs with earthed (grounded) power tools.** Unmodified plugs and matching outlets will reduce risk of electric shock.
- b) **Avoid body contact with earthed or grounded surfaces, such as pipes, radiators, ranges and refrigerators.** There is an increased risk of electric shock if your body is earthed or grounded.
- c) **Do not expose power tools to rain or wet conditions.** Water entering a power tool will increase the risk of electric shock.
- d) **Do not abuse the cord. Never use the cord for carrying, pulling or unplugging the power tool. Keep cord away from heat, oil, sharp edges or moving parts.** Damaged or entangled cords increase the risk of electric shock.
- e) **When operating a power tool outdoors, use an extension cord suitable for outdoor use.** Use of a cord suitable for outdoor use reduces the risk of electric shock.
- f) **If operating a power tool in a damp location is unavoidable, use a residual current device (RCD) protected supply.** Use of an RCD reduces the risk of electric shock.

#### 3) Personal safety

- a) **Stay alert, watch what you are doing and use common sense when operating a power tool. Do not use a power tool while you are**

**tired or under the influence of drugs, alcohol or medication.** A moment of inattention while operating power tools may result in serious personal injury.

- b) **Use personal protective equipment. Always wear eye protection.** Protective equipment such as dust mask, non-skid safety shoes, hard hat, or hearing protection used for appropriate conditions will reduce personal injuries.
  - c) **Prevent unintentional starting. Ensure the switch is in the off-position before connecting to power source and/or battery pack, picking up or carrying the tool.** Carrying power tools with your finger on the switch or energising power tools that have the switch on invites accidents.
  - d) **Remove any adjusting key or wrench before turning the power tool on.** A wrench or a key left attached to a rotating part of the power tool may result in personal injury.
  - e) **Do not overreach. Keep proper footing and balance at all times.** This enables better control of the power tool in unexpected situations.
  - f) **Dress properly. Do not wear loose clothing or jewellery. Keep your hair and clothing away from moving parts.** Loose clothes, jewellery or long hair can be caught in moving parts.
  - g) **If devices are provided for the connection of dust extraction and collection facilities, ensure these are connected and properly used.** Use of dust collection can reduce dust-related hazards.
  - h) **Do not let familiarity gained from frequent use of tools allow you to become complacent and ignore tool safety principles.** A careless action can cause severe injury within a fraction of a second.
- #### 4) Power tool use and care
- a) **Do not force the power tool. Use the correct power tool for your application.** The correct power tool will do the job better and safer at the rate for which it was designed.
  - b) **Do not use the power tool if the switch does not turn it on and off.** Any power tool that cannot be controlled with the switch is dangerous and must be repaired.
  - c) **Disconnect the plug from the power source and/or remove the battery pack, if detachable, from the power tool before making any adjustments, changing accessories, or storing power tools.** Such preventive safety measures reduce the risk of starting the power tool accidentally.
  - d) **Store idle power tools out of the reach of children and do not allow persons unfamiliar with the power tool or these instructions to operate the power tool.** Power tools are dangerous in the hands of untrained users.
  - e) **Maintain power tools and accessories. Check**

**for misalignment or binding of moving parts, breakage of parts and any other condition that may affect the power tool's operation. If damaged, have the power tool repaired before use.** Many accidents are caused by poorly maintained power tools.

- f) Keep cutting tools sharp and clean.** Properly maintained cutting tools with sharp cutting edges are less likely to bind and are easier to control.
  - g) Use the power tool, accessories and tool bits etc. in accordance with these instructions, taking into account the working conditions and the work to be performed.** Use of the power tool for operations different from those intended could result in a hazardous situation.
  - h) Keep handles and grasping surfaces dry, clean and free from oil and grease.** Slippery handles and grasping surfaces do not allow for safe handling and control of the tool in unexpected situations.
- 5) Service**
- a) Have your power tool serviced by a qualified repair person using only identical replacement parts.** This will ensure that the safety of the power tool is maintained.

## SAFETY WARNINGS FOR ALL SAWS

### Cutting procedures

- a)  DANGER: Keep hands away from cutting area and the blade.** If both hands are holding the saw, they cannot be cut by the blade.
- b) Do not reach underneath the workpiece.** The guard cannot protect you from the blade below the workpiece.
- c) Adjust the cutting depth to the thickness of the workpiece.** Less than a full tooth of the blade teeth should be visible below the workpiece.
- d) Never hold piece being cut in your hands or across your leg. Secure the workpiece to a stable platform.** It is important to support the work properly to minimize body exposure, blade binding, or loss of control.
- e) Hold the power tool by insulated gripping surfaces only, when performing an operation where the cutting tool may contact hidden wiring or its own cord.** Contact with a "live" wire will also make exposed metal parts of the power tool "live" and could give the operator an electric shock.
- f) When ripping always use a rip fence or straight edge guide.** This improves the accuracy of cut and reduces the chance of blade binding.
- g) Always use blades with correct size and shape (diamond versus round) of arbor holes.** Blades that do not match the mounting hardware of the

saw will run eccentrically, causing loss of control.

- h) Never use damaged or incorrect blade washers or bolt.** The blade washers and bolt were specially designed for your saw, for optimum performance and safety of operation.

## FURTHER SAFETY INSTRUCTIONS FOR ALL SAWS

### Kickback causes and related warnings

- kickback is a sudden reaction to a pinched, jammed or misaligned saw blade, causing an uncontrolled saw to lift up and out of the workpiece toward the operator;
- when the blade is pinched or jammed tightly by the kerf closing down, the blade stalls and the motor reaction drives the unit rapidly back toward the operator;
- if the blade becomes twisted or misaligned in the cut, the teeth at the back edge of the blade can dig into the top surface of the wood causing the blade to climb out of the kerf and jump back toward the operator.

Kickback is the result of saw misuse and/or incorrect operating procedures or conditions and can be avoided by taking proper precautions as given below.

- a) Maintain a firm grip on the saw and position your arms to resist kickback forces. Position your body to either side of the blade, but not in line with the blade.** Kickback could cause the saw to jump backwards, but kickback forces can be controlled by the operator, if proper precautions are taken.
- b) When blade is binding, or when interrupting a cut for any reason, release the trigger and hold the saw motionless in the material until the blade comes to a complete stop. Never attempt to remove the saw from the work or pull the saw backward while the blade is in motion or kickback may occur.** Investigate and take corrective actions to eliminate the cause of blade binding.
- c) When restarting a saw in the workpiece, center the saw blade in the kerf and check that saw teeth are not engaged into the material.** If saw blade is binding, it may walk up or kickback from the workpiece as the saw is restarted.
- d) Support large panels to minimize the risk of blade pinching and kickback.** Large panels tend to sag under their own weight. Supports must be placed under the panel on both sides, near the line of cut and near the edge of the panel.
- e) Do not use dull or damaged blades.** Unsharpened or improperly set blades produce narrow kerf causing excessive friction, blade



binding and kickback.

- f) Blade depth and bevel adjusting locking levers must be tight and secure before making cut.** If blade adjustment shifts while cutting, it may cause binding and kickback.
- g) Use extra caution when sawing into existing walls or other blind areas.** The protruding blade may cut objects that can cause kickback.

## SAFETY INSTRUCTIONS FOR SAWS WITH INNER PENDULUM GUARD

### Lower Guard Function

- a) Check lower guard for proper closing before each use. Do not operate the saw if lower guard does not move freely and close instantly. Never clamp or tie the lower guard into the open position.** If saw is accidentally dropped, lower guard may be bent. Raise the lower guard with the retracting handle and make sure it moves freely and does not touch the blade or any other part, in all angles and depths of cut.
- b) Check the operation of the lower guard spring. If the guard and the spring are not operating properly, they must be serviced before use.** Lower guard may operate sluggishly due to damaged parts, gummy deposits, or a build-up of debris.
- c) The lower guard may be retracted manually only for special cuts such as "plunge cuts" and "compound cuts."** Raise lower guard by retracting handle and as soon as blade enters the material, the lower guard must be released. For all other sawing, the lower guard should operate automatically.
- d) Always observe that the lower guard is covering the blade before placing saw down on bench or floor.** An unprotected, coasting blade will cause the saw to walk backwards, cutting whatever is in its path. Be aware of the time it takes for the blade to stop after switch is released.

## ADDITIONAL SAFETY RULES FOR YOUR CUTTING-OFF MACHINES

### CUT-OFF MACHINE SAFETY WARNINGS

- a) The guard provided with the tool must be securely attached to the power tool and positioned for maximum safety, so the least amount of wheel is exposed towards the operator. Position yourself and bystanders away from the plane of the rotating wheel.** The guard helps to protect operator from broken wheel

fragments and accidental contact with wheel.

- b) Use only bonded reinforced or diamond cut-off wheels for your power tool.** Just because an accessory can be attached to your power tool, it does not assure safe operation.
- c) The rated speed of the accessory must be at least equal to the maximum speed marked on the power tool.** Accessories running faster than their rated speed can break and fly apart.
- d) Wheels must be used only for recommended applications. For example: do not grind with the side of cut-off wheel.** Abrasive cut-off wheels are intended for peripheral grinding, side forces applied to these wheels may cause them to shatter.
- e) Always use undamaged wheel flanges that are of correct diameter for your selected wheel.** Proper wheel flanges support the wheel thus reducing the possibility of wheel breakage.
- f) Do not use worn down reinforced wheels from larger power tools.** Wheels intended for a larger power tool are not suitable for the higher speed of a smaller tool and may burst.
- g) The outside diameter and the thickness of your accessory must be within the capacity rating of your power tool.** Incorrectly sized accessories cannot be adequately guarded or controlled.
- h) The arbour size of wheels and flanges must properly fit the spindle of the power tool.** Wheels and flanges with arbour holes that do not match the mounting hardware of the power tool will run out of balance, vibrate excessively and may cause loss of control.
- i) Do not use damaged wheels. Before each use, inspect the wheels for chips and cracks. If power tool or wheel is dropped, inspect for damage or install an undamaged wheel. After inspecting and installing the wheel, position yourself and bystanders away from the plane of the rotating wheel and run the power tool at maximum no load speed for one minute.** Damaged wheels will normally break apart during this test time.
- j) Wear personal protective equipment. Depending on application, use face shield, safety goggles or safety glasses. As appropriate, wear dust mask, hearing protectors, gloves and shop apron capable of stopping small abrasive or workpiece fragments.** The eye protection must be capable of stopping flying debris generated by various operations. The dust mask or respirator must be capable of filtering particles generated by your operation. Prolonged exposure to high intensity noise may cause hearing loss.
- k) Keep bystanders a safe distance away from work area. Anyone entering the work area must wear personal protective equipment.** Fragments of workpiece or of a broken wheel may fly away and cause injury beyond immediate area of operation.

- l) **Hold the power tool by insulated gripping surfaces only, when performing an operation where the cutting accessory may contact hidden wiring or its own cord.** Cutting accessory contacting a "live" wire may make exposed metal parts of the power tool "live" and could give the operator an electric shock.
- m) **Position the cord clear of the spinning accessory.** If you lose control, the cord may be cut or snagged and your hand or arm may be pulled into the spinning wheel.
- n) **Never lay the power tool down until the accessory has come to a complete stop.** The spinning wheel may grab the surface and pull the power tool out of your control.
- o) **Do not run the power tool while carrying it at your side.** Accidental contact with the spinning accessory could snag your clothing, pulling the accessory into your body.
- p) **Regularly clean the power tool's air vents.** The motor's fan will draw the dust inside the housing and excessive accumulation of powdered metal may cause electrical hazards.
- q) **Do not operate the power tool near flammable materials.** Sparks could ignite these materials.
- r) **Do not use accessories that require liquid coolants.** Using water or other liquid coolants may result in electrocution or shock.
- s) **Recommendation for the use of a residual current device with a tripping current of 30 mA or less.**

## FURTHER SAFETY INSTRUCTIONS FOR ABRASIVE CUTTING-OFF OPERATIONS

### KICKBACK AND RELATED WARNINGS

Kickback is a sudden reaction to a pinched or snagged rotating wheel. Pinching or snagging causes rapid stalling of the rotating wheel which in turn causes the uncontrolled power tool to be forced in the direction opposite of the wheel's rotation at the point of the binding.

For example, if an abrasive wheel is snagged or pinched by the workpiece, the edge of the wheel that is entering into the pinch point can dig into the surface of the material causing the wheel to climb out or kick out. The wheel may either jump toward or away from the operator, depending on direction of the wheel's movement at the point of pinching. Abrasive wheels may also break under these conditions.

Kickback is the result of power tool misuse and/or incorrect operating procedures or conditions and can be avoided by taking proper precautions as given below.

- a) **Maintain a firm grip on the power tool and position your body and arm to allow you to**

**resist kickback forces. Always use auxiliary handle, if provided, for maximum control over kickback or torque reaction during start-up.** The operator can control torque reactions or kickback forces, if proper precautions are taken.

- b) **Never place your hand near the rotating accessory.** Accessory may kickback over your hand.
- c) **Do not position your body in line with the rotating wheel.** Kickback will propel the tool in direction opposite to the wheel's movement at the point of snagging.
- d) **Use special care when working Corners, sharp edges etc. Avoid bouncing and snagging the accessory.** Corners, sharp edges or bouncing have a tendency to snag the rotating accessory and cause loss of control or kickback.
- e) **Do not attach a saw chain, woodcarving blade, segmented diamond wheel with a peripheral gap greater than 10 mm or toothed saw blade.** Such blades create frequent kickback and loss of control.
- f) **Do not "jam" the wheel or apply excessive pressure. Do not attempt to make an excessive depth of cut.** Overstressing the wheel increases the loading and susceptibility to twisting or binding of the wheel in the cut and the possibility of kickback or wheel breakage.
- g) **When wheel is binding or when interrupting a cut for any reason, switch off the power tool and hold the power tool motionless until the wheel comes to a complete stop. Never attempt to remove the wheel from the cut while the wheel is in motion otherwise kickback may occur.** Investigate and take corrective action to eliminate the cause of wheel binding.
- h) **Do not restart the cutting operation in the workpiece. Let the wheel reach full speed and carefully re-enter the cut.** The wheel may bind, walk up or kickback if the power tool is restarted in the workpiece.
- i) **Support panels or any oversized workpiece to minimize the risk of wheel pinching and kickback.** Large workpieces tend to sag under their own weight. Supports must be placed under the workpiece near the line of cut and near the edge of the workpiece on both sides of the wheel.
- j) **Use extra caution when making a "pocket cut" into existing walls or other blind areas.** The protruding wheel may cut gas or water pipes, electrical wiring or objects that can cause kickback.

## ADDITIONAL SAFETY RULES FOR YOUR CIRCULAR SAW

1. Only use saw blades recommended in the

specification.

2. Do not use any abrasive wheels.
3. Use only blade diameter(s) in accordance with the markings.
4. Identify the correct saw blade to be used for the material to be cut.
5. Use only saw blades that are marked with a speed equal or higher than the speed marked on the tool.

## GENERAL SAFETY WARNINGS FOR YOUR LASER

**!** **WARNING: Read all safety warnings and all instructions.** Failure to follow the warnings and instructions may result in serious injury.

**Save all warnings and instructions for future reference.**

These lasers do not normally present an optical hazard although staring at the beam may cause flash blindness.

Do not stare directly at the laser beam. A hazard may exist if you deliberately stare into the beam, please observe all safety rules as follows:


1. The laser shall be used and maintained in accordance with the manufacturer's instructions.
2. Never aim the beam at any person or an object other than the work piece.
3. The laser beam shall not be deliberately aimed at another person and shall be prevented from being directed towards the eye of a person for longer than 0.25 seconds area.
4. Always ensure the laser beam is aimed at a sturdy work piece without reflective surfaces, e.g. wood or rough-coated surfaces are acceptable. Bright shiny reflective sheet steel or similar is not suitable for laser applications as the reflective surface may direct the laser beam back at the operator.
5. Do not change the laser device with a different type. The manufacturer or an authorized agent must carry out repairs.
6. CAUTION: Use of controls or adjustments other than those specified herein may result in hazardous radiation exposure.















### Additional safety warning for class 2 laser





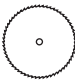

The laser device fitted to this tool is CLASS 2 with a maximum radiation of 1.5mW and 650nm wavelength.

**CLASS 2 LASER RADIATION, DO NOT STARE INTO BEAM**

## SYMBOLS

	To reduce the risk of injury, user must read instruction manual
--	---

	Double insulation
	Warning
	Wear ear protection
	Wear eye protection
	Wear dust mask
	Do not stare into beam
	Laser radiation
	Before any work on the machine itself, pull the mains plug from the socket outlet.
	Wear protective gloves
	Wood
	Aluminium
	Metal
	Plastic
	Incorrect

	Correct
	Lock
	Unlock
	Abrasive cutting disc
	HSS blade
	TCT blade

#### 14. INNER FLANGE

#### 15. BLADE BOLT

#### 16. BEVEL ADJUSTMENT LEVER

#### 17. DUST EXTRACTION OUTLET

#### 18. PARALLEL GUIDE CLAMPING FIXTURE

#### 19. OUTER FLANGE

#### 20. LASER GUIDE


#### 21. LASER ON-OFF SWITCH (SEE FIG. D1)

#### 22. LASER BATTERIES (TWO) (SEE FIG. E2)

\* Not all the accessories illustrated or described are included in standard delivery.

## TECHNICAL DATA

Type **WX437 WX437.X** (4-designation of machinery, representative of Saw)

	<b>WX437 WX437.X**</b>
Voltage	230-240V~50/60Hz
Rated Power	800W
No load speed (MAX.)	4700 /min
Blade size	
TCT blade (WA5100)	120 mm X1.5mmX 9.5mm X 24T
HCS blade (WA8302)	115 mm X1.2mmX 9.5mm X 60T
Abrasive cutting disc (WA5048)	115 mmX1.6mm X9.5mm X 60G
Cutting capacity Cutting Depth at 90° Cutting Depth at 45°	42.5mm 28.5mm
Bevel capacity	0-45°
Arbor size	9.5 mm
Laser battery model no.	LR44 1.5V
Protection class	
Bare tool weight	2.3kg

## COMPONENT LIST

1. **SOFT GRIP HANDLE**
2. **HEX KEY**
3. **LOCK OFF BUTTON**
4. **ON/OFF SWITCH**
5. **FIXED UPPER GUARD**
6. **LOWER GUARD LEVER**
7. **BASE PLATE**
8. **LOWER BLADE GUARD**
9. **SPINDLE LOCK BUTTON**
10. **VACUUM ADAPTER**
11. **DEPTH ADJUSTMENT LEVER**
12. **PARALLEL GUIDE**
13. **SAW BLADE\***

\*\* X=1-999,A-Z,M1-M9 there are only used for different customers, there are no safe relevant changes between these models

We recommend that you purchase your accessories from the same store that sold you the tool. Refer to the accessory packaging for further details. Store personnel can assist you and offer advice.

## NOISE INFORMATION (CUTTING WOOD/CUTTING METAL)

A weighted sound pressure  $L_{PA} = 88 \text{ dB(A)}$

A weighted sound power  $L_{WA} = 99 \text{ dB(A)}$

$K_{PA} \& K_{WA} = 3 \text{ dB(A)}$

**Wear ear protection**

## NOISE INFORMATION (CUTTING TILE)

A weighted sound pressure  $L_{PA} = 96 \text{ dB(A)}$

A weighted sound power  $L_{WA} = 107 \text{ dB(A)}$

$K_{PA} \& K_{WA} = 3 \text{ dB(A)}$

**Wear ear protection**

## VIBRATION INFORMATION CUTTING WOOD/CUTTING METAL)

Vibration total values (triax vector sum) determined according to EN 62841:

Vibration emission value:	Cutting wood: $a_{h,w} = 5,75 \text{ m/s}^2$
	Uncertainty $K = 1.5 \text{ m/s}^2$
	Cutting metal: $a_{h,m} = 4.68 \text{ m/s}^2$
	Uncertainty $K = 1.5 \text{ m/s}^2$

The declared vibration total value and the declared noise emission value have been measured in

accordance with a standard test method and may be used for comparing one tool with another. The declared vibration total value and the declared noise emission value may also be used in a preliminary assessment of exposure.

**WARNING:** The vibration and noise emissions during actual use of the power tool can differ from the declared value depending on the ways in which the tool is used especially what kind of workpiece is processed dependant on the following examples and other variations on how the tool is used:

How the tool is used and the materials being cut or drilled.

The tool being in good condition and well maintained.

The use of the correct accessory for the tool and ensuring it is sharp and in good condition.

The tightness of the grip on the handles and if any anti vibration and noise accessories are used.

And the tool is being used as intended by its design and these instructions.

**This tool may cause hand-arm vibration syndrome if its use is not adequately managed.**

**WARNING:** To be accurate, an estimation of exposure level in the actual conditions of use should also take account of all parts of the operating cycle such as the times when the tool is switched off and when it is running idle but not actually doing the job. This may significantly reduce the exposure level over the total working period.

Helping to minimise your vibration and noise exposure risk.

Always use sharp chisels, drills and blades.

Maintain this tool in accordance with these instructions and keep well lubricated (where appropriate).

If the tool is to be used regularly then invest in anti vibration and noise accessories.

Plan your work schedule to spread any high vibration tool use across a number of days.

## VIBRATION INFORMATION (CUTTING TILE)

Vibration total values (triax vector sum) determined according to EN 60745:

Vibration emission value:	Cutting tile: $a_r = 4.81 \text{ m/s}^2$
	Uncertainty $K = 1.5 \text{ m/s}^2$

The declared vibration total value may be used for comparing one tool with another, and may also be used in a preliminary assessment of exposure.

**WARNING:** The vibration emission value during actual use of the power tool can differ from the declared value depending on the ways in which the tool is used dependant on the following examples and other variations on how the tool is used: How the tool is used and the materials being cut or drilled.

The tool being in good condition and well maintained Using the correct accessory for the tool and ensuring it is sharp and in good condition.

The tightness of the grip on the handles and if any anti vibration accessories are used.

And the tool is being used as intended by its design and these instructions.

**This tool may cause hand-arm vibration syndrome if its use is not adequately managed**

**WARNING:** To be accurate, an estimation of exposure level in the actual conditions of use should also take account of all parts of the operating cycle such as the times when the tool is switched off and when it is running idle but not actually doing the job. This may significantly reduce the exposure level over the total working period.

Helping to minimise your vibration exposure risk.

ALWAYS use sharp chisels, drills and blades

Maintain this tool in accordance with these instructions and keep well lubricated (where appropriate)

If the tool is to be used regularly then invest in anti vibration accessories.

Plan your work schedule to spread any high vibration tool use across a number of days.

**OPERATING INSTRUCTIONS**



**NOTE:** Before using the tool, read the instruction book carefully.

**INTENDED USE:**

The tool is intended for ripping and cross-cutting wood and other materials in straight cutting lines, while resting firmly on the work piece.

**ASSEMBLY AND OPERATION**

Action	Figure
Mounting and Removing the Blade <b>NOTE:</b> Lock or loose the blade bolt, the spindle lock button should be pressed. <b>WARNING:</b> Always remove the battery before changing the blade!	See Fig. A

Safety switch and On/Off trigger <b>WARNING:</b> To avoid cutting injury from the sharp blade, please don't put your hands around the Base Plate. <b>NOTE:</b> Keep the dust adapter connected to dust collecting device when using the tool.	See Fig. B
Rip and Cross Cutting <b>NOTE:</b> The cutting line of saw blade is aligned with the cutting mark 0°.	See Fig. C1, C2
Using the Laser Light Feature	See Fig. D1, D2
Replacing Laser Batteries	See Fig.E1, E2,E3
Parallel Guide	See Fig. F1, F2
Adjusting the Cutting Depth	See Fig. G1, G2
Adjusting the Cutting Angle <b>NOTE:</b> The cutting line of saw blade is aligned with the cutting mark 45°.	See Fig. H
Pocket cutting	See Fig. I1, I2
Sawdust Removal	See Fig. J

**WORKING HINTS FOR YOUR TOOL**

If your power tool becomes too hot, please run your circular saw no load for 2-3 minutes to cool the motor. Avoid prolonged usage at very low speeds.

Protect saw blades against impact and shock. Cutting with extreme force can significantly reduces the performance capability of the tool and reduces the service life of the saw blade. Sawing performance and cutting quality depend essentially on the condition and the tooth count of the saw blade. Therefore, use only sharp saw blades that are suited for the material being cut.

Choice of blades: 24 teeth for general work, approx. 40 teeth for finer cuts, more than 40 teeth for very fine cuts into delicate surfaces, diamond for tile, cement board, etc.

Only use saw blades recommended.

**MAINTAIN TOOLS WITH CARE**

**Remove the plug from the socket before carrying out any adjustment, servicing or maintenance.**

Keep tools sharp and clean for better and safer performance. Follow instructions for lubricating and

changing accessories. Inspect tool cords periodically and if damaged, have repaired by authorized service facility. Your power tool requires no additional lubrication or maintenance. There are no user serviceable parts in your power tool. Never use water or chemical cleaners to clean your power tool. Wipe clean with a dry cloth. Always store your power tool in a dry place. Keep the motor ventilation slots clean. Keep all working controls free of dust. If the supply cord is damaged, it must be replaced by the manufacturer, its service agent or similarly qualified persons in order to avoid a hazard. Periodically clear dust and chips from guard and base to ensure proper performance.

## ENVIRONMENTAL PROTECTION



### Disposal

The machine, its accessories and packaging materials should be sorted for environmentally friendly recycling. The plastic components are labeled for categorized recycling.

## TROUBLE SHOOTING

Symptom	Possible Causes	Possible Solution
Tool will not start when operating the on/off switch.	Power cord not plugged in. Power cord is broken. Carbon brush has worn down	Check to make sure power cord is connected well into a working outlet. Unplug the power cord. Replace it using a qualified maintenance person. Replace the carbon brush using a qualified maintenance person.
Cutting depth is less than that is set.	Sawdust accumulated at the rear of the base.	Shake out sawdust. Consider connecting a vacuum for dust collection.
Blade spins or slips	Blade is not tightly engaged with the spindle.	Remove the blade, and reassemble it as described in <b>Mounting and Removing the Blade</b> section.
Blade will not cut a straight line.	Blade is dull. Blade is not mounted properly. Saw is not being guided properly.	Mount a new, sharp blade on the saw. Check that blade is properly mounted. Use a parallel guide.
Blade kicks back when beginning a cut	Blade is not spinning fast enough	Allow the saw blade to reach full speed prior to beginning a cut in the material.

# БЕЗОПАСНОСТЬ ИЗДЕЛИЯ ОБЩИЕ ПРЕДОСТЕРЕЖЕНИЯ ПО ТЕХНИКЕ БЕЗОПАСНОСТИ ПРИ РАБОТЕ С ЭЛЕКТРОИНСТРУМЕНТОМ



**ПРЕДОСТЕРЕЖЕНИЕ!** Внимательно ознакомьтесь со всеми инструкциями и предостережениям по технике безопасности.

Невыполнение всех нижеприведенных инструкций и рекомендаций может привести к поражению электрическим током, пожару и/или серьезным травмам.

## СОХРАНИТЕ ВСЕ ИНСТРУКЦИИ И ПРЕДОСТЕРЕЖЕНИЯ ДЛЯ ДАЛЬНЕЙШЕГО ИСПОЛЬЗОВАНИЯ.

Термин "электроинструмент" в предупреждения относится к вашему электроинструменту с питанием от сети (шнур) или к электроинструменту с батарейным питанием (беспроводной).

### 1) БЕЗОПАСНОСТЬ РАБОЧЕЙ ЗОНЫ

**a) Держите рабочую зону чистой и хорошо освещенной.** Загроможденные или затемненные зоны предрасполагают к несчастным случаям.

**b) Не используйте электроинструменты во взрывоопасных средах, например, в присутствии легковоспламеняющихся жидкостей, газов или пыли.**

Электроинструменты создают искры, которые могут воспламенить пыль или пары.

**c) Держите детей и прохожих в стороне во время работы с электроинструментом.**

Отвлекающие факторы могут привести к потере контроля над инструментом.

### 2) ЭЛЕКТРОБЕЗОПАСНОСТЬ

**a) Вилки с электроинструментом должны соответствовать розетке. Никогда не изменяйте штепсель каким-либо образом. Запрещается использовать любые переходники с заземленными электроинструментами.** Не модифицированные вилки и соответствующие розетки уменьшают риск поражения электрическим током.

**b) Избегайте контакта тела с заземленными поверхностями, такими как трубы, радиаторы, плиты и холодильники.** Существует повышенный риск поражения электрическим током, если ваше тело заземлено.

**c) Не подвергайте электроинструмент воздействию дождя или влажности.** Вода,

попадающая в электроинструмент, повысит риск поражения электрическим током.

**d) Запрещается применять шнур не по назначению. Никогда не используйте шнур для переноски, вытягивания или отсоединения электроинструмента. Держите шнур вдали от тепла, масла, острых краев или движущихся частей.**

Поврежденные или запутанные шнуры повышают риск поражения электрическим током.

**e) При работе с электроинструментом на открытом воздухе используйте удлинитель, предназначенный для использования на открытом воздухе.** Использование шнура, подходящего для использования на открытом воздухе, снижает риск поражения электрическим током.

**f) Если работа электроинструмента во влажном месте неизбежна, используйте устройство защитного отключения.** Использование УЗО снижает риск поражения электрическим током.

### 3) ЛИЧНАЯ БЕЗОПАСНОСТЬ

**a) Будьте внимательны, следите за тем, что вы делаете, и пользуйтесь здравым смыслом при работе с электроинструментом. Не используйте электроинструмент во время усталости или под воздействием наркотиков, алкоголя или медикаментов.**

Невнимательность при работе электроинструмента может привести к серьезной травме.

**b) Используйте средства индивидуальной защиты. Всегда надевайте защитные очки.** Защитное оборудование, такое как пылезаститная маска, нескользкая защитная обувь, каски или защита слуха, используемые для соответствующих условий, уменьшат риск возникновения травмы.

**c) Предотвращение непреднамеренного запуска. Перед подключением к источнику питания и / или батарейному блоку убедитесь, что переключатель находится в положении "выключено".** Перенос электроинструментов с пальцем на выключателе или зарядка включенных электроинструментов приводит к несчастным случаям.

**d) Перед включением электроинструмента уберите любые посторонние гаечные ключи.** Ключ, прикрепленный к вращающейся части электроинструмента, может стать причиной травмы.

**e) Не наклоняйтесь. Постоянно сохраняйте равновесие.** Это позволяет лучше контролировать электроинструмент в



неожиданных ситуациях.

- f) Одевайтесь должным образом. Не надевайте свободную одежду или украшения. Держите волосы, одежду и перчатки вдали от движущихся частей.** Свободная одежда, ювелирные изделия или длинные волосы могут быть зацеплены движущимися частями.
- g) Если устройства оборудованы соединением для удаления пыли и подключения коллекторов, убедитесь, что такое оборудование подключено и используется должным образом.** Использование пылеулавливателей может уменьшить опасность, связанную с пылью.
- h) Не позволяйте осведомленности, полученной в результате частого использования инструментов, заставить вас расслабиться и игнорировать принципы техники безопасности при работе с инструментом.** Неосторожное действие может привести к серьезным травмам в течение доли секунды.

#### **4) ИСПОЛЬЗОВАНИЕ ЭЛЕКТРОИНСТРУМЕНТА И УХОД ЗА НИМ**

- a) Запрещается избыточно загружать электроинструмент. Используйте подходящий электроинструмент для вашей работы.** Правильно подобранный электроинструмент сделает работу, для которой он был разработан, лучше и безопаснее.
- b) Не используйте электроинструмент, если выключатель не работает.** Любой электроинструмент, который не может управляться с помощью переключателя, опасен и должен быть отремонтирован.
- c) Перед выполнением любых регулировок, заменой принадлежностей или хранением электроинструмента отсоедините штекер от источника питания и / или аккумуляторной батареи от электроинструмента.** Такие предупредительные меры безопасности уменьшают риск случайного запуска электроинструмента.
- d) Храните электроинструменты в недоступном для детей месте и не позволяйте лицам, незнакомым с электроинструментом или с этой инструкцией, работать с ним.** Инструменты опасны в руках необученных пользователей.
- e) Обслуживайте электроинструменты. Проверьте несостояние движущихся частей, поломку деталей и любые другие состояния, которые могут повлиять на работу электроинструмента. В случае повреждения отремонтируйте**

**электроинструмент перед использованием.** Многие несчастные случаи связаны с плохим обслуживанием электроинструментов.

- f) Поддерживайте заточку и чистоту режущих инструментов.** Правильно обслуживаемые режущие инструменты с острыми режущими кромками легче контролировать, и снижается вероятность их деформации.
  - g) Используйте электроинструмент, принадлежности и т. д. в соответствии с этими инструкциями, с учетом условий выполняемой работы.** Использование электроинструмента для операций, отличающихся от предназначенного использования, может привести к опасной ситуации.
  - h) Ручки и поверхности для захвата должны быть сухими, чистыми и без следов масла и смазки.** Скользкие ручки и поверхности для захвата не позволяют безопасно обращаться с инструментом и контролировать его в непредвиденных ситуациях.
- 5) ОБСЛУЖИВАНИЕ**
- a) Обслуживайте свой инструмент только с помощью квалифицированного специалиста по ремонту, используя только идентичные запасные части.** Это обеспечит поддержание безопасности электроинструмента.

## **ИНСТРУКЦИИ ПО БЕЗОПАСНОСТИ ДЛЯ ВСЕХ ПИЛ**

### **Процесс пиления**

- a)  ОПАСНОСТЬ: Держите руки подальше от участка распила и режущего диска.**  
Если обе руки удерживают пилу, они не могут попасть под режущий диск.
- b) Не помещайте части тела под обрабатываемый предмет.** Защитное приспособление не может защитить вас от режущего диска под обрабатываемым предметом.
- c) Регулируйте глубину спила по толщине обрабатываемого предмета.** Под обрабатываемым предметом должно быть видно меньше полных зубцов режущего диска.
- d) Никогда не держите разрезаемый предмет в руках или на колене. Закрепите обрабатываемый предмет на устойчивой платформе.** Важно обеспечить правильную

опору для работы, чтобы свести к минимуму воздействие на тело, заедание режущего диска или потерю контроля.

- е) Удерживайте электроинструмент только за изолированные поверхности захвата, когда выполняете операцию, при которой режущий инструмент может коснуться скрытой проводки или своего собственного шнура питания.** Контакт с проводом под напряжением приведет к тому, что металлические части электроинструмента также будут проводить ток, что может стать причиной удара электротоком оператора.
- ф) При продольной резке всегда используйте направляющую планку или шаблон прямой кромки.** Это обеспечит точность реза и уменьшит возможность заедания режущего диска.
- г) Всегда используйте режущие диски нужного размера и формы центрального отверстия (алмазный диск против круглого диска).** Режущие диски, которые не соответствуют крепежному оборудованию пилы, будут работать несбалансированно, что приведет к потере контроля.
- h) Никогда не используйте поврежденные или неподходящие шайбы или болт режущего диска.** Шайбы и болт режущего диска были специально разработаны для обеспечения оптимальной производительности вашей пилы и безопасности эксплуатации.

использования пилы и/или неправильных рабочих процедур или условий, и ее можно избежать, приняв соответствующие меры безопасности, указанные ниже.

- а) Прочно удерживайте пилу и держите руки так, чтобы противостоять силам отдачи.** Располагайте тело с любой стороны от режущего диска, но не на одной линии с режущим диском. Держите руку, которая не удерживает пилу, как можно дальше от траектории движения пилы. Отдача может привести к скачку пилы назад, силы отдачи могут контролироваться оператором, если приняты надлежащие меры предосторожности.
- б) Когда режущий диск заедает, или когда резка прерывается по любой причине, отпустите триггерный переключатель и держите пилу в материале неподвижно до тех пор, пока режущий диск не остановится полностью. Никогда не пытайтесь извлечь пилу из материала или вытянуть пилу назад, пока режущий диск движется, иначе может произойти отдача.** Проверьте и примите корректирующие действия, чтобы устранить причину заедания режущего диска.
- с) При повторном запуске пилы в обрабатываемом предмете центруйте режущий диск пилы в пропиле и убедитесь, что зубья пилы не контактируют с материалом.** Если режущий диск пилы заело, при повторном запуске пилы он может двигаться, или может произойти отдача из обрабатываемого предмета.
- д) Обеспечивайте опору больших панелей, чтобы свести к минимуму риск заклинивания режущего диска и отдачи.** Большие панели имеют тенденцию к прогибу под собственным весом. Опоры должны располагаться под панелью с обеих сторон, рядом с линией распила и рядом с краем панели.
- е) Не используйте тупые или поврежденные режущие диски.** Затупленные или неправильно установленные режущие диски приводят к узкому пропилу из-за избыточного трения, заедания режущего диска и отдачи.
- ф) Перед выполнением реза необходимо затянуть и закрепить блокировочные рычаги регулировки глубины и наклона режущего диска.** Если регулировка режущего диска меняется во время реза, это может привести к заеданию и отдаче.
- г) Принимайте особые меры предосторожности при работе внутри существующих стен или в других мертвых зонах.** Выступающий режущий диск может резать предметы, что приведет к отдаче.

## ДАЛЬНЕЙШИЕ ИНСТРУКЦИИ ПО БЕЗОПАСНОСТИ ДЛЯ ВСЕХ ПИЛ

### Причины отдачи и соответствующие предостережения

- Отдачей называется внезапная реакция на зажатый, застрявший или смещенный режущий диск пилы, что приводит к неконтролируемому подъему пилы и ее выходу из обрабатываемого предмета по направлению к оператору.
- Когда режущий диск застрял или плотно защемлен закрывшимся пропилом, режущий диск останавливается, и реакция электродвигателя быстро выталкивает инструмент назад в направлении оператора.
- Если режущий диск скручивается или смещается в пропиле, зубцы на задней кромке режущего диска может вонзиться в верхнюю поверхность дерева, выталкивая режущий диск из пропила и отбрасывая его назад к оператору.

Отдача является результатом неправильного

# ИНСТРУКЦИИ ПО БЕЗОПАСНОСТИ ДЛЯ ПИЛ С ВНУТРЕННИМ МАЯТНИКОВЫМ ПРЕДОХРАНИТЕЛЬНЫМ УСТРОЙСТВОМ

## Функция нижнего предохранительного устройства

- a) Проверяйте нижнее предохранительное устройство на правильность закрывания перед каждым использованием. Не пользуйтесь пилой, если нижнее предохранительное устройство не перемещается свободно и моментально не закрывает режущий диск. Никогда не зажимайте или не блокируйте нижнее предохранительное устройство так, чтобы режущий диск оставался открытым. Если случайно уронить пилу, нижнее предохранительное устройство может погнуться. Проверьте, чтобы убедиться в свободном перемещении нижнего предохранительного устройства; не касайтесь режущего диска или любой другой части при любых углах и глубине реза.
- b) Проверьте работу и состояние возвратной пружины нижнего предохранительного устройства. Если нижнее предохранительное устройство и пружина не работают должным образом, перед использованием им необходимо обслуживание. Нижнее предохранительное устройство может работать недостаточно быстро из-за поврежденных частей, смолистых отложений или накопившегося мусора.
- c) Нижнее предохранительное устройство может отодвигаться вручную только для отдельных видов пропилов, таких как “глубокие пропилы” и “комплексные пропилы.” Поднимите нижнее предохранительное устройство, убрав рукоятку, и, как только диск войдет в материал, необходимо высвободить нижнее предохранительное устройство. Для всех других пропилов нижнее предохранительное устройство должно срабатывать автоматически.
- d) Всегда следите за тем, чтобы нижнее предохранительное устройство закрывало режущий диск до помещения пилы на верстак или на пол. Незащищенный режущий диск,двигающийся по инерции, приведет к движению пилы назад, разрезая все на своем пути. Помните, сколько требуется времени для остановки режущего диска после освобождения переключателя.

# ИНСТРУКЦИИ ПО ТЕХНИКЕ БЕЗОПАСНОСТИ ПРИ ВЫПОЛНЕНИИ АБРАЗИВНО-ОТРЕЗНЫХ ОПЕРАЦИЙ

## Предупреждения о соблюдении техники безопасности при работе на отрезных станках

- a) **Предохранительное устройство, прилагаемое к инструменту, должно быть прочно прикреплено к электроинструменту и установлено на место для обеспечения максимальной безопасности, чтобы как можно меньший объем диска был открыт для воздействия на оператора. Держитесь сами и держите присутствующих подальше от плоскости вращающегося диска.** Предохранительное устройство помогает защитить оператора от фрагментов сломавшегося диска и случайного контакта с диском.
- b) **Используйте только жестко усиленные или алмазные режущие диски для своего электроинструмента.** Тот факт, что аксессуар может быть закреплен на вашем электроинструменте, еще не гарантирует его безопасное использование.
- c) **Номинальная скорость вращения аксессуара должна быть как минимум равна максимальной скорости, указанной на электроинструменте.** Аксессуары, вращающиеся быстрее указанной номинальной скорости, могут оторваться и отлететь.
- d) **Диски должны использоваться только для рекомендованного применения. Например: не пытайтесь шлифовать боковой стороной режущего диска.** Абразивные режущие диски предназначены для боковой шлифовки, боковые силы, приложенные к этим дискам, могут привести к их обламыванию.
- e) **Всегда используйте неповрежденные фланцы диска, которые имеют необходимый диаметр для выбранного вами диска.** Правильно подобранные фланцы диска поддерживают диск, тем самым уменьшая возможность поломки диска.
- f) **Не используйте изношенные армированные диски от электроинструментов большего размера.** Диски, предназначенные для электроинструмента большего размера, не подходят для большей скорости меньшего инструмента и могут прогореть.
- g) **Наружный диаметр и толщина вашего аксессуара должны соответствовать номинальной**

### **мощности электроинструмента.**

Неправильно подобранные аксессуары не могут быть должным образом закрыты предохранительным устройством или правильно контролироваться.

- h) Размер оправок дисков и фланцев должен обеспечивать точную установку шпинделя электроинструмента.** Диски и фланцы с отверстиями оправки, которые не совпадают с монтажными приспособлениями электроинструмента, будут работать несбалансированно, с избыточной вибрацией и могут привести к потере управления.
- i) Не используйте поврежденные диски. Перед каждым использованием проверяйте диски на наличие сколов и трещин. Если электроинструмент или диск случайно уронили, проверьте их на повреждения или установите неповрежденный диск. После проверки и установки диска вставьте сами и проследите, чтобы присутствующие располагались подальше от плоскости вращающегося диска, затем дайте проработать электроинструменту на максимальной скорости без нагрузки в течение одной минуты.** В течение этого тестового времени поврежденные диски обычно разламываются.
- j) Носите средства индивидуальной защиты. В зависимости от применения носите лицевой щиток, закрытые или защитные очки. При необходимости надевайте пылезащитную маску, защитные наушники, перчатки и рабочий фартук, способный предохранить от небольших осколков абразивного материала или обрабатываемого предмета.** Защита глаз должна быть способна предохранить от летящего мусора, сопутствующего различным операциям. Пылезащитная маска или респиратор должны быть способны отфильтровывать частицы, образующиеся в результате работы. Продолжительное воздействие шума высокой интенсивности может привести к потере слуха.
- k) Держите посторонних на безопасном расстоянии от рабочей зоны. Любой, вошедший в рабочую зону, должен надевать средства индивидуальной защиты.** Осколки обрабатываемого предмета или сломавшийся диск могут отлетать в сторону и привести к травмам за пределами участка непосредственно работы.
- l) Удерживайте электроинструмент только за изолированные захватные поверхности при выполнении операций, когда режущий аксессуар может контактировать со скрытой проводкой или**

**собственным шнуром питания.** Режущий аксессуар, контактирующий с проводом под напряжением, может проводить напряжение на металлические части электроинструмента и стать причиной удара оператора электрическим током.

- m) Держите шнур питания подальше от вращающегося аксессуара.** Если вы потеряете контроль, шнур может быть перерублен или поврежден, а ваши руки могут быть затянуты во вращающийся диск.
- n) Никогда не кладите электроинструмент, пока аксессуар не остановится полностью.** Вращающийся диск может зацепиться за поверхность, и вы потеряете контроль над электроинструментом.
- o) Не запускайте электроинструмент во время его переноски.** Случайный контакт с вращающимся аксессуаром может зацепить одежду, затягивая аксессуар к вашему телу.
- p) Регулярно очищайте вентиляционные отверстия электроинструмента.** Вентилятор электродвигателя затягивает пыль внутрь корпуса; избыточное скопление металлического порошка может привести к поражению электрическим током.
- q) Не используйте электроинструмент рядом с горючими материалами.** Искры могут воспламенить эти материалы.
- r) Не используйте аксессуары, для которых необходимы охлаждающие жидкости.** Использование воды или других охлаждающих жидкостей может привести к поражению электрическим током.
- s) Рекомендации по использованию устройств защитного отключения с током отключения 30 мА или менее.**

## **ОТДАЧА И СООТВЕТСТВУЮЩИЕ ПРЕДУПРЕЖДЕНИЯ**

### **Отдача и соответствующие предостережения**

Отдача представляет собой случайную реакцию на заклинивший или зацепившийся вращающийся диск. Заклинивание или зацепление вызывает быстрое торможение вращающегося диска, что, в свою очередь, приводит к неконтролируемому движению электроинструмента в направлении, обратном вращению диска в точке заедания. Например, если абразивный диск зацепился или застрял в обрабатываемом предмете, край диска, который входит в точку защемления, может вонзиться в поверхность материала, что приведет к выскакиванию или отскакиванию диска. Диск может отскочить в сторону от

оператора или в направлении оператора, в зависимости от направления движения диска в точке заклинивания. Абразивные диски в этих условиях также могут сломаться. Отдача является результатом неправильного использования электроинструмента и/или неправильных рабочих процедур или условий, и ее можно избежать, приняв надлежащие меры безопасности, приведенные ниже.

- а) Прочно удерживайте электроинструмент и держите тело и руки так, чтобы противостоять силам отдачи. Всегда используйте дополнительную рукоятку, при ее наличии, для максимального контроля отдачи или реакции скручивания во время запуска.** Оператор может контролировать реакции скручивания или силы отдачи, если приняты надлежащие меры безопасности.
- б) Никогда не помещайте руку рядом с вращающимся аксессуаром.** Аксессуар может под воздействием отдачи сместиться в сторону вашей руки.
- с) Не располагайте тело на одной линии с вращающимся диском.** Отдача откинет инструмент в направлении, противоположном движению диска на момент зацепления.
- д) Соблюдайте особую осторожность при работе на углах, острых краях и т.д. Избегайте подсакивания и зацепления аксессуара.** Углы, острые края или подсакивание могут стать причиной зацепления вращающегося аксессуара и привести к потере контроля или отдаче.
- е) Не закрепляйте пильную цепь, лобиковый режущий диск, сегментированный алмазный диск с периферийным зазором больше 10 мм или зубчатый пильный режущий диск.** Такие режущие диски часто являются причиной отдачи и потери контроля.
- ф) Не "зажимайте" диск или не прикладывайте избыточное давление. Не пытайтесь сделать пропила избыточной глубины.** Перенапряжение диска увеличивает нагрузку и возможность скручивания или заедания диска в пропилах, а также вероятность отдачи или поломки диска.
- г) Когда диск заедает, или при прерывании пропила по любой причине, выключите электроинструмент и держите его неподвижно до тех пор, пока диск не остановится полностью. Никогда не пытайтесь извлечь диск из распилы, пока диск еще движется, в противном случае это может привести к отдаче.** Проверьте и примите корректирующие действия, чтобы устранить причину заедания диска.
- h) Не перезапускайте операцию реза в**

**обрабатываемом предмете. Дайте диск набрать полную скорость вращения и осторожно введите его в распил.**

Диск может согнуться, сместиться или вызвать отдачу, если перезапустить электроинструмент в обрабатываемом предмете.

- і) Обеспечьте опору панелей или любого обрабатываемого предмета большого размера, чтобы свести к минимуму риск заклинивания диска и отдачи.** Большие обрабатываемые предметы имеют тенденцию провисать под собственным весом. Опоры должны располагаться под обрабатываемым предметом рядом с линией реза и рядом с краем обрабатываемого предмета с обеих сторон от диска.
- j) Соблюдайте особую осторожность при выполнении "выреза" в существующих стенах или других мертвых зонах.** Выступающий диск может задеть газовые или водяные трубы, электрическую проводку или предметы, которые могут привести к отдаче.

## ДОПОЛНИТЕЛЬНЫЕ ПРАВИЛА БЕЗОПАСНОСТИ ДЛЯ ЦИРКУЛЯРНОЙ ПИЛЫ

1. Используйте только те пилы, которые рекомендованы в спецификации.
2. Не используйте шлифовальные круги
3. Используйте только режущие диски, диаметр которых соответствует маркировке.
4. Выберите соответствующий режущий диск для пиления определённого материала
5. Убедитесь, что скорость, указанная на режущем диске соответствует скорости, указанной на инструменте, или же превышает её.

## МЕРЫ БЕЗОПАСНОСТИ ПРИ ИСПОЛЬЗОВАНИИ ЛАЗЕРА



**ПРЕДОСТЕРЕЖЕНИЕ:** Прочитайте все предупреждения, касающиеся безопасности, и все инструкции. Несоблюдение предостережений и инструкций может привести к серьезным травмам.

**Сохраните все предупреждения и инструкции для дальнейшего использования.**

**Эти лазеры обычно не представляют опасность для зрения, хотя взгляд на луч может ослепить.**

**Не смотрите прямо на лазерный луч. Может существовать опасность, если намеренно смотреть на луч, соблюдайте все правила**

безопасности, приведенные далее:

1. Лазер должен использоваться и обслуживаться в соответствии с инструкциями изготовителя.
2. Никогда не направляйте луч на людей или на предмет, кроме обрабатываемой детали.
3. Лазерный луч не должен намеренно направляться на другого человека и не должен быть направлен в человеческий глаз в течение более 0,25 секунды.
4. Всегда убедитесь, что лазерный луч направлен на прочный обрабатывающий предмет без отражающих поверхностей, например, приемлемыми являются дерево или грубо обработанные поверхности. Ярко блестящий отражающий стальной лист или аналог не подходит для применения лазера, поскольку отражающая поверхность может перенаправить лазерный луч на оператора.
5. Не заменяйте лазерное устройство устройством другого типа. Ремонт должен выполняться изготовителем или уполномоченным агентом.
6. **ОСТОРОЖНО:** Использование устройств управления или регулировок, отличных от указаний в данном документе, может привести к опасному облучению.

	Наденьте защиту для слуха
	Наденьте защиту для глаз
	Наденьте пылезащитную маску
	Не смотрите пристально на луч
	Лазерное излучение
	Перед выполнением любых работ на самом инструменте отключите сетевой штекер из силовой розетки.
	Носите защитные перчатки
	Дерево
	Металл
	Алюминий
	Пластиковый
	Неправильно

**ДОПОЛНИТЕЛЬНОЕ ПРЕДОСТЕРЕЖЕНИЕ, КАСАЮЩЕЯСЯ БЕЗОПАСНОСТИ, ДЛЯ ЛАЗЕРА КЛАССА 2**

Лазерное устройство, установленное на этом инструменте, относится к классу 2 с максимальным излучением 1.5мВт и длиной волны 650 нм.

**ЛАЗЕРНОЕ ИЗЛУЧЕНИЕ КЛАССА 2, НЕ СМОТРИТЕ ПРИСТАЛЬНО НА ЛУЧ**

**УСЛОВНЫЕ ОБОЗНАЧЕНИЯ**

	Чтобы уменьшить риск травм, пользователь должен прочитать руководство по эксплуатации
	Двойная изоляция
	Предостережение

	Правильно
	Заблокировано
	Разблокировано
	Алмазный диск
	Диск HSS
	Диск ТСТ

## ПЕРЕЧЕНЬ КОМПОНЕНТОВ

1. РУКОЯТКА С МЯГКОЙ НАКЛАДКОЙ
2. ШЕСТИГРАННЫЙ ГАЕЧНЫЙ КЛЮЧ
3. ПЕРЕКЛЮЧАТЕЛЬ БЛОКИРОВКИ
4. ПЕРЕКЛЮЧАТЕЛЬ ВКЛ./ВЫКЛ.
5. НЕПОДВИЖНОЕ ВЕРХНЕЕ ПРЕДОХРАНИТЕЛЬНОЕ УСТРОЙСТВО
6. РЫЧАГ НИЖНЕГО ПРЕДОХРАНИТЕЛЬНОГО УСТРОЙСТВА
7. ПЛИТА ОСНОВАНИЯ
8. НИЖНЕЕ ПРЕДОХРАНИТЕЛЬНОЕ УСТРОЙСТВО ДИСКА
9. КНОПКА БЛОКИРОВКИ ШПИНДЕЛЯ
10. ВАКУУМНЫЙ ПЕРЕХОДНИК
11. РЫЧАГ РЕГУЛИРОВКИ ГЛУБИНЫ
12. ПАРАЛЛЕЛЬНАЯ НАПРАВЛЯЮЩАЯ


13. ПИЛЬНЫЙ ДИСК \*
14. ВНУТРЕННИЙ ФЛАНЕЦ
15. БОЛТ ДИСКА
16. РЫЧАГ РЕГУЛИРОВКИ НАКЛОНА
17. ВЫХОДНОЕ ОТВЕРСТИЕ ДЛЯ УДАЛЕНИЯ ПЫЛИ
18. КРЕПЛЕНИЕ ПАРАЛЛЕЛЬНОЙ НАПРАВЛЯЮЩЕЙ
19. НАРУЖНЫЙ ФЛАНЕЦ
20. ЛАЗЕР ГИД
21. ПЕРЕКЛЮЧАТЕЛЬ ВКЛ./ВЫКЛ. ЛАЗЕРА (СМ. РИС. D1)
22. БАТАРЕЙКИ ДЛЯ ЛАЗЕРА (ДВЕ) (СМ. РИС. E2)

\*Не все показанные или описанные аксессуары включены в стандартный комплект.

## ТЕХНИЧЕСКИЕ ДАННЫЕ

Тип WX437 WX437.X (4- обозначение механизмов, к которым относится пила)

	WX437 WX437.X**
Напряжение	230~240V~50/60Hz
Номинальная мощность	800W
Скорость без нагрузки(МАКСИМУМ.)	4700 /мин
Размер лезвия	
ТСТЛезвие(WA5100)	120 mm X1.5mmX 9.5mm X 24T
HCS Лезвие(WA8302)	115 mm X1.2mmX 9.5mm X 60T
Алмазный диск (WA5048)	115 mmX1.6mm X9.5mm X 60G
Производительность реза	
Глубина реза при 90°	42.5mm
Глубина реза при 45°	28.5mm

Значение скоса	0-45°
Размер оправки	9.5 mm
Батарейка для лазера, модель №	LR441.5V
Класс защиты	 /II
Вес инструмента без аксессуаров	2.3kg

\*\* X=1-999, A-Z, M1-M9 используются только для разных клиентов, безопасных изменений между этими моделями нет.

Мы рекомендуем Вам приобрести аксессуары, перечисленные в приведенном выше списке, в том же магазине, где продавался инструмент. Обратитесь к упаковке для получения

## ИНФОРМАЦИЯ О ШУМЕ (Резка дерева/Резка металла)

Измеренное звуковое давление	$L_{pA} = 88 \text{ dB(A)}$
Измеренная мощность звука	$L_{WA} = 99 \text{ dB(A)}$
KpA и KwA	3,0 дБ(A)

Использовать средства защиты слуха

## ИНФОРМАЦИЯ О ШУМЕ (ПЛИТКА ДЛЯ РЕЗКИ)

Измеренное звуковое давление	$L_{pA} = 96 \text{ dB(A)}$
Измеренная мощность звука	$L_{WA} = 107 \text{ dB(A)}$
$K_{pA} \& K_{WA}$	3 dB(A)

Использовать средства защиты слуха

## ИНФОРМАЦИЯ О ВИБРАЦИИ (Резка дерева/Резка металла)

Суммарные значения вибрации (трехкомпонентная векторная сумма), определенные согласно EN62841:

Измеренная вибрация	Резка дерева: $a_{rw} = 5,75 \text{ m/s}^2$
	Погрешность $K = 1.5 \text{ m/s}^2$
	Резка металла: $a_{rm} = 4.68 \text{ m/s}^2$
	Погрешность $K = 1.5 \text{ m/s}^2$

Измерения указанных значений общей вибрации и уровня шумового воздействия проводились в соответствии со стандартными методами испытаний, и эти значения можно использовать для сравнения различных инструментов.

Также указанные значения общей вибрации и уровня шумового воздействия можно использовать в процессе предварительной оценки внешнего воздействия.



**ПРЕДОСТЕРЕЖЕНИЕ:** Значение вибрации при фактическом использовании электроинструмента может отличаться от заявленного значения в зависимости от того, как инструмент используется:

Как используется инструмент, и какие материалы подвергаются резке или сверлению.

Хорошее состояние инструмента и его хорошее обслуживание.

Использование правильного аксессуара для инструмента и обеспечение его остроты и хорошего состояния.

Крепость удержания рукояток и использование антивибрационных аксессуаров.

Используется ли инструмент в соответствии с его предназначением и этими инструкциями.

**Этот инструмент может вызвать тремор рук при его неправильном использовании.**



**ПРЕДОСТЕРЕЖЕНИЕ:** Чтобы быть точной, оценка уровня воздействия в реальных условиях использования должна также учитывать все части рабочего цикла, такие как время, когда инструмент выключен и когда он работает на холостом ходу и не выполняет работу. Это может значительно снизить уровень воздействия за весь рабочий период.

Помогает минимизировать риск возникновения тремора рук. ВСЕГДА используйте острые резцы, сверла и режущие диски. Обслуживайте этот инструмент в соответствии с этими инструкциями и хорошо смазывайте (при



необходимости)

При регулярном использовании инструмента - приобретите антивибрационные аксессуары. Планируйте ваш рабочий график так, чтобы распределить использование инструмента с наибольшей вибрацией на несколько дней.

## ИНФОРМАЦИЯ О ВИБРАЦИИ (Резка дерева/Резка металла)

Суммарные значения вибрации (трехкомпонентная векторная сумма), определенные согласно EN 60745:

Измеренная вибрация	Резка плитки: $a_n = 4.81 \text{ m/s}^2$
	Погрешность $K = 1.5 \text{ m/s}^2$

Также указанные значения общей вибрации и уровня шумового воздействия можно использовать в процессе предварительной оценки внешнего воздействия.

**⚠ ПРЕДОСТЕРЕЖЕНИЕ:** Уровень вибрации при фактическом использовании электроинструмента может отличаться от заявленного значения в зависимости от способов использования инструмента в зависимости от следующих примеров и других вариантов использования инструмента:  
Как используется инструмент, и какие материалы обрабатываются или просверливаются.  
Хорошее состояние инструмента и его хорошее обслуживание.  
Использование правильного аксессуара для инструмента и обеспечение его остроты и хорошего состояния.  
Крепость удержания рукояток и использование антивибрационных аксессуаров.  
Используется ли инструмент в соответствии с его назначением и этими инструкциями.

**Этот инструмент может вызвать тремор рук при его неправильном использовании.**

**⚠ ПРЕДОСТЕРЕЖЕНИЕ:** Чтобы быть точной, оценка уровня воздействия в реальных условиях использования должна также учитывать все части рабочего цикла, такие как время, когда инструмент выключен и когда он работает на холостом ходу и не выполняет работу. Это может значительно снизить уровень воздействия за весь рабочий период.  
Помогает минимизировать риск возникновения тремора рук.  
**ВСЕГДА** используйте острые резцы, сверла и режущие диски.  
Обслуживайте этот инструмент в соответствии с

этим инструкциями и хорошо смазывайте (при необходимости)

При регулярном использовании инструмента - приобретите антивибрационные аксессуары. Планируйте ваш рабочий график так, чтобы распределить использование инструмента с наибольшей вибрацией на несколько дней.

## ИНСТРУКЦИИ ПО ЭКСПЛУАТАЦИИ

**⚠ ПРИМЕЧАНИЕ:** Перед использованием инструмента внимательно прочитайте инструкцию.

### ПРЕДУСМОТРЕННОЕ ИСПОЛЬЗОВАНИЕ

Инструмент предназначен для продольной и поперечной резки дерева и других материалов по прямой, когда инструмент прочно закреплен на обрабатываемом предмете.

## СБОРКА И ЭКСПЛУАТАЦИЯ

Операция	Рисунок
Установка и снятие лезвия <b>ПРИМЕЧАНИЕ:</b> Зафиксируйте или освободите болт лезвия, блокирующая кнопка шпинделя должна быть отжата. <b>⚠ ПРЕДУПРЕЖДЕНИЕ:</b> Всегда извлекайте аккумулятор перед заменой лезвия!	См. рис. А
Предохранительный выключатель и кнопка запуска <b>⚠ ПРЕДУПРЕЖДЕНИЕ:</b> Чтобы избежать травм от острого лезвия, не кладите руки рядом с Опорной плитой. <b>ПРИМЕЧАНИЕ:</b> При использовании инструмента держите адаптер пыли подключённым к устройству сбора пыли.	См. рис. В
Продольная распиловка и поперечная резка <b>ПРИМЕЧАНИЕ:</b> Линия резки пильного диска совмещается с меткой резки 0°.	См. рис. C1, C2
Использование функции лазерного луча	См. рис. D1, D2

Замена батареек для лазера	См. рис..E1, E2, E3
Параллельная направляющая	См. рис. F1, F2
Регулировка глубины реза	См. рис.G1, G2
Регулировка угла реза <b>ПРИМЕЧАНИЕ:</b> ТЛиния резки пильного диска совмещается с меткой резки 45°.	См. рис. H
Вырез	См. рис. I1, I2
Удаление опилок	См. рис.J

## СОВЕТЫ ПО РАБОТЕ С ИНСТРУМЕНТОМ

Если ваш электроинструмент становится слишком горячим, дайте дисковой пиле поработать без нагрузки в течение 2-3 минут, чтобы охладить электродвигатель. Избегайте продолжительного использования при очень низких скоростях. Защитите пильные режущие диски от толчков и ударов. Избыточная подача значительно снижает производительность инструмента и сокращает срок службы режущего диска пилы. Производительность распиливания и качество пропила существенно зависят от состояния и количества зубьев режущего диска пилы. Поэтому пользуйтесь только острыми режущими дисками, подходящими для обрабатываемого материала.

Выбор режущих дисков: 24 зубца для общих работ, приблизительно 40 зубцов для более тонких пропилов, больше 40 зубцов для очень тонких пропилов по легко повреждаемым поверхностям, алмазный диск для плитки, цементных плит и т.д.

Используйте только рекомендованные режущие диски для пил.

## БЕРЕЖНО УХАЖИВАЙТЕ ЗА ИНСТРУМЕНТОМ

**Отсоединяйте шнур от источника питания перед выполнением любых регулировок, ухода или обслуживания.**

Поддерживайте остроту и чистоту инструментов для лучшего и безопасного функционирования. Следуйте инструкциям по смазке и замене аксессуаров. Периодически проверяйте шнур питания инструментов и, в случае повреждения, отремонтируйте в авторизованном

сервисном центре. Электроинструмент не требует дополнительной смазки или технического обслуживания. В нем нет частей, обслуживаемых пользователем. Никогда не пользуйтесь водой или химическими чистящими средствами для очистки электроинструмента. Начисто протирайте сухой тканью. Всегда храните электроинструмент в сухом месте. Поддерживайте чистоту вентиляционных отверстий электродвигателя. Не допускайте попадания пыли на все рабочие устройства управления. Если шнур питания поврежден, он должен заменяться изготовителем, его сервисным агентом или лицом с аналогичной квалификацией, чтобы избежать опасности. Периодически вычищайте пыль и крошки из предохранительного устройства и основания, чтобы обеспечить должную производительность.

## ЗАЩИТА ОКРУЖАЮЩЕЙ СРЕДЫ



### Утилизация

Инструмент, его аксессуары и упаковочные материалы должны сортироваться для экологически безопасной переработки. Пластиковые компоненты маркированы по категориям.

## ВЫЯВЛЕНИЕ И УСТРАНЕНИЕ НЕИСПРАВНОСТЕЙ

ПРОБЛЕМА	ВОЗМОЖНАЯ ПРИЧИНА	ВОЗМОЖНОЕ РЕШЕНИЕ
Инструмент не запускается при управлении переключателем вкл./выкл.	Не подключен шнур питания. Шнур питания поврежден. Изношена угольная щетка.	Убедитесь, что шнур питания хорошо подключен к исправной розетке. Отсоедините шнур питания. Замените его с помощью квалифицированного специалиста. Замените угольную щетку с помощью квалифицированного специалиста.
Глубина реза меньше заданного значения.	Опилки скопились в задней части основания.	Вытряхните опилки. Советуем подключить пылесос для сбора пыли.
Режущий диск прокручивается или проскальзывает.	Режущий диск не прочно закреплен на шпинделе.	Снимите режущий диск и установите его снова в соответствии с инструкциями раздела <b>Установка и снятие лезвия</b> раздел
Режущий диск не пропиливает по прямой линии.	Режущий диск тупой. Режущий диск неправильно установлен. Пила плохо направляется.	Установите новый острый режущий диск на пилу. Убедитесь, что режущий диск установлен правильно. Используйте направляющую рейку.
Режущий диск отскакивает назад при начале пропила.	Режущий диск недостаточно быстро вращается.	Дайте режущему диску пилы достичь полной скорости до начала пропиливания.

**EAC**

Импортер: ООО «ПОЗИТЕК-ЕВРАЗИЯ»

Адрес: Российская Федерация, 117342, г. Москва, ул. Бутлерова, д. 17, этаж 3 ком 67

Страна производства: КНР

Изготовитель: Позитек Технолоджи (КНР) Ко. Лтд.

Адрес: Донгванг Роуд, 18, Сучжоу Индастриал Парк, Цзянсу, КНР

Срок службы изделия: 6 лет

Срок гарантии: 2 года

Дата производства изделия: указана на изделии

Телефон сервисной службы ООО «ПОЗИТЕК-ЕВРАЗИЯ»: 7 (495) 136-83-96

Электронная почта [service.ru@positecgroup.com](mailto:service.ru@positecgroup.com)

**WORX**  
you've got the power

[www.worx.com](http://www.worx.com)

Copyright © 2020, Positec. All Rights Reserved.  
AR01606700